

EASY P/N

SEAL LESS PUMP

FEATURES



- Run dry without damage
- No metal contact
- Choice PP - PVDF
- Excellent chemical resistance
- Virtually maintenance free

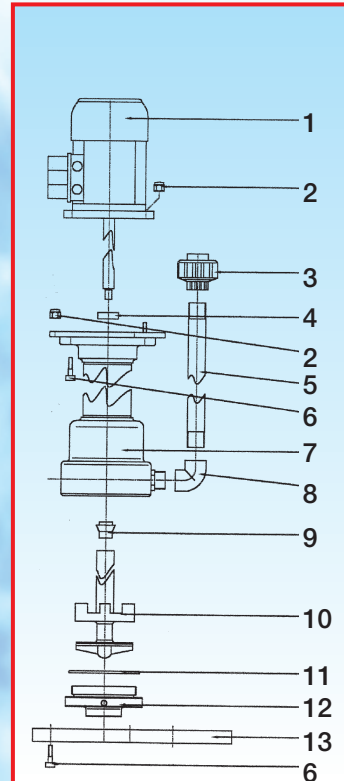
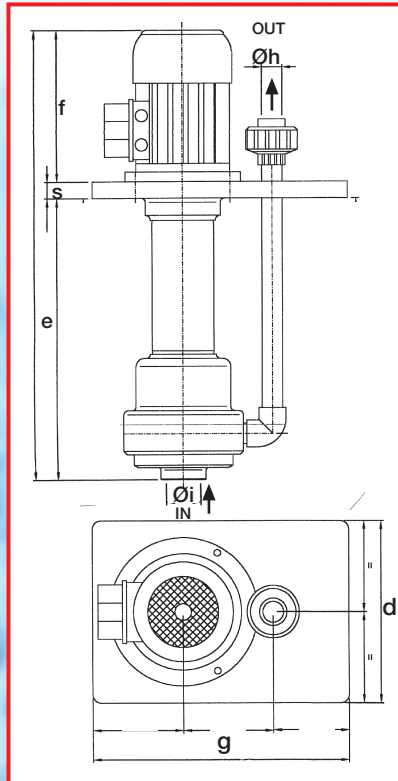


la fonte
srl.it

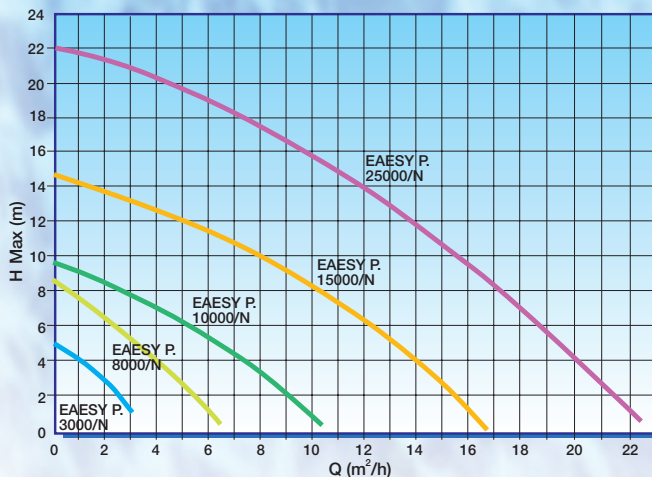
EASY P/N

SEAL LESS PUMP

- ▶ Sealsless vertical immersible pumps series EASYP/N are used for agitation, filtration, transfer of acid and alkaline solutions.
- ▶ la fonte vertical pumps are versatile, easy to install and require minimal amount tank space.
- ▶ They can be easily moved from tank to tank, mounting on the tank flange or on the outside of the tank if room not permitting.
- ▶ Maximum temperature ratings:
PP 80°C, PVDF 95°C
- ▶ Optional:
 - Titanium shaft motor
 - Drip cover.



- 1 MOTOR
- 2 PP NUT
- 3 SOCKET UNION
- 4 MIM SEALING
- 5 OUTLET PIPE
- 6 BOLT
- 7 PUMP HOUSING
- 8 ELBOW
- 9 CENTERING
- 10 IMPELLER
- 11 PUMP HOUSING O-RING
- 12 PUMP HEAD
- 13 PUMP FLANGE



SPCIFICATION

Model	Q max i/h	H max m.	Motor					Dimension				
			Kw	RPM	Hz	V	I	Ø i (mm)	Ø h (mm)	Flangia (g x d x s)	Hsf e (mm)	H Motor f (mm)
EASY P 3000/N	3000	5	0,12	2800	50/60	230 400	1 0,6	25	20	200x200x20	261	165
EASY P 8000/N	6500	9	0,25	2800	50/60	230 400	1,4 0,81	40	25	220x310x20	342	185
EASY P 10000/N	10000	11	0,55	2800	50/60	230 400	3,3 1,9	40	32	350x320x30	410	215
EASY P 15000/N	16500	15	1,1	2800	50/60	230 400	4,9 2,8	40	40	350x290x30	440	230
EASY P 25000/N	23.000	22	2.2	2800	50/60	230 400	4,9 2,8	63	50	320x450x30	450	260

la fonte
srl.it

P.le Cocchi, 6 - 21040 Vedano Olona (VA) Italy
Tel. +39 0332 402168 - Fax +39 0332 402169
e-mail: info@lafontesrl.it - www.lafontesrl.it